



# ELITE 80

## MASONRY SAW

*Designed and made in Italy*



### WATER TANK

Realized in ABS material, crash and consumption proof.

- Plate wide the cutting rubble from the recycling water's area
- tEalyan

### KIT WHEELS

The wheels are Ø220 mm and can be fixed at the legs by means eyebolts. Due to their conception and for the legs' inclination, are very functional and allow the machine to be easily moved if lightly lifted up by the handles.

### STORAGE

Build to reduce at the maximum the encumbrance during the carriage and above all the storage space

	Art. 9000	Art. 9001
DIAMOND DISK (not included)	ø350 mm.	ø350 mm.
ENGINE	230V   50Hz   3Hp/2,2kW	230V   50Hz   3Hp/2,2kW
ROTATION SPEED	2800 rpm.	2800 rpm.
AMPEROMETRICAL PROTECTION	13A	13A
MAX CUTTING LENGTH	800 mm.	800 mm.
MAX CUTTING DEPTH AT 90°	110 mm.	110 mm.
MAX CUTTING DEPTH WITH 2 RUNS	130 mm.	130 mm.
MAX CUTTING DEPTH AT 45°	80 mm.	80mm.
WORKING SIZE TABLE	520 x 437 mm.	520 x 437 mm.
WATER RECYCLING PUMP TYPE	S2 standard	S2 standard
KIT WHEELS	Optional	Standard
LASER INSTRUMENT	Optional	Standard
DIMENSION MACHINE IN SERVICE	770x1180x h.1300 mm.	770x1180x h.1300 mm.
DIMENSION MACHINE IN STOCK	800x1200x h. 970 mm.	800x1200x h. 970 mm.
DIMENSION 3 MACHINES ON PALLET	800x1200x h. 2260 mm.	800x1200x h. 2260 mm.
NET WEIGHT	65 Kg	68 Kg

**BATTIPAV**™

MACCHINE PER EDILIZIA | MACHINES FOR BUILDING

AUTHORIZED DEALER:



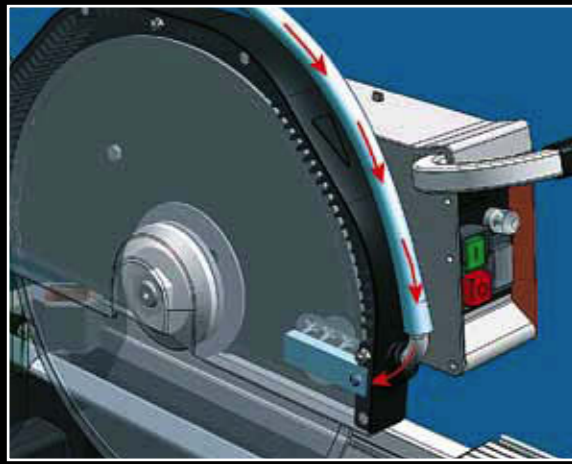
Z. i. 2 - Via Cavatorta, 6/1 | 48010 Cotignola (Ra) | ITALY  
 Tel. +39 0545 40004 | Fax +39 0545 41724  
 www.battipav.com | sales@battipav.com

January 2011

### APPLICATION

Built to cut tiles, bricks, stones, concrete blocks, granite, marble and natural stones





**Spray System** **SPRAY SYSTEM**

Patented system that improves the lubrication of diamond disk and ensures higher cutting performance and longer-lasting blades.



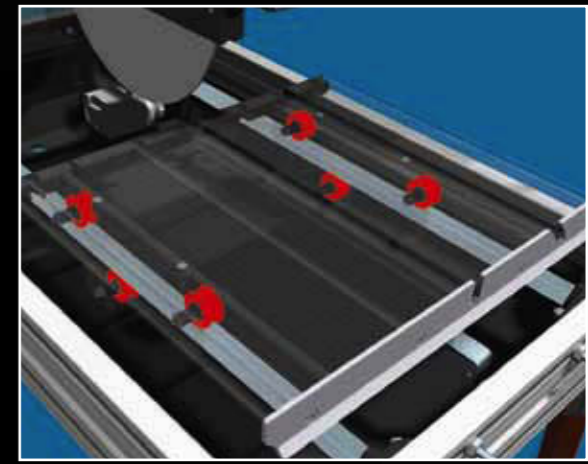
**CUTTING HEAD**

Tilting cutting head for one greater rapidity and precision in the execution of particular cuts. It can be locked at the wished height.



**45° CUT**

Position 45° angle cuts with relative tilting of the cutting head



**WORKING TABLE**

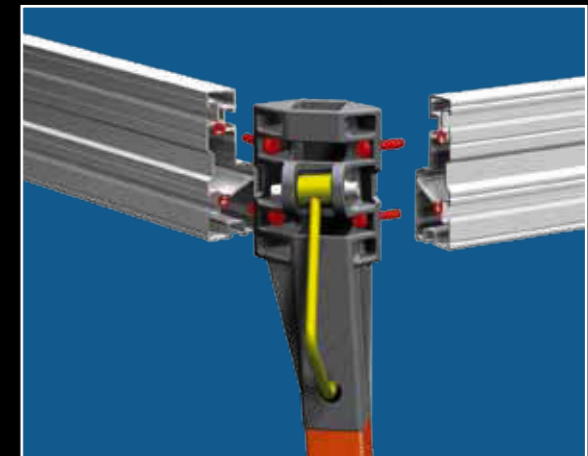
The working table is very strong and steady.

- It slides on 2 steel square rails with 6 wheels; 4 over and 2 under.
- every wheel has 2 ball bearings for a total of 12.



**LASER TRACER**

- Connected directly to the net.
- Lighting of the laser ray connected to the tilting of the cutting head for the maximum safety of the operator.
- Bulb with millimetrical adjustment of the ray in three space's directions.
- Lens with interchangeable protection glass.



**Fast LEG** **FAST LEG**

Slide inside special attachments, integrated to the structure and bell-shaped inclined, assuring great stability at the machine.

- Quick and strong locking with eccentric.
- Adjustable height in every position, with three prefixed positions.



Our submerged pump is marked with the registered trademark **AxT**, the acronym of "Acqua per Tagli" which stands for **Water for Cutting**; its certifies its provenance and authenticity.